

ECLIPSE SHELVING

ASSEMBLY

EASY ASSEMBLY



Fully
Adjustable
every 25mm

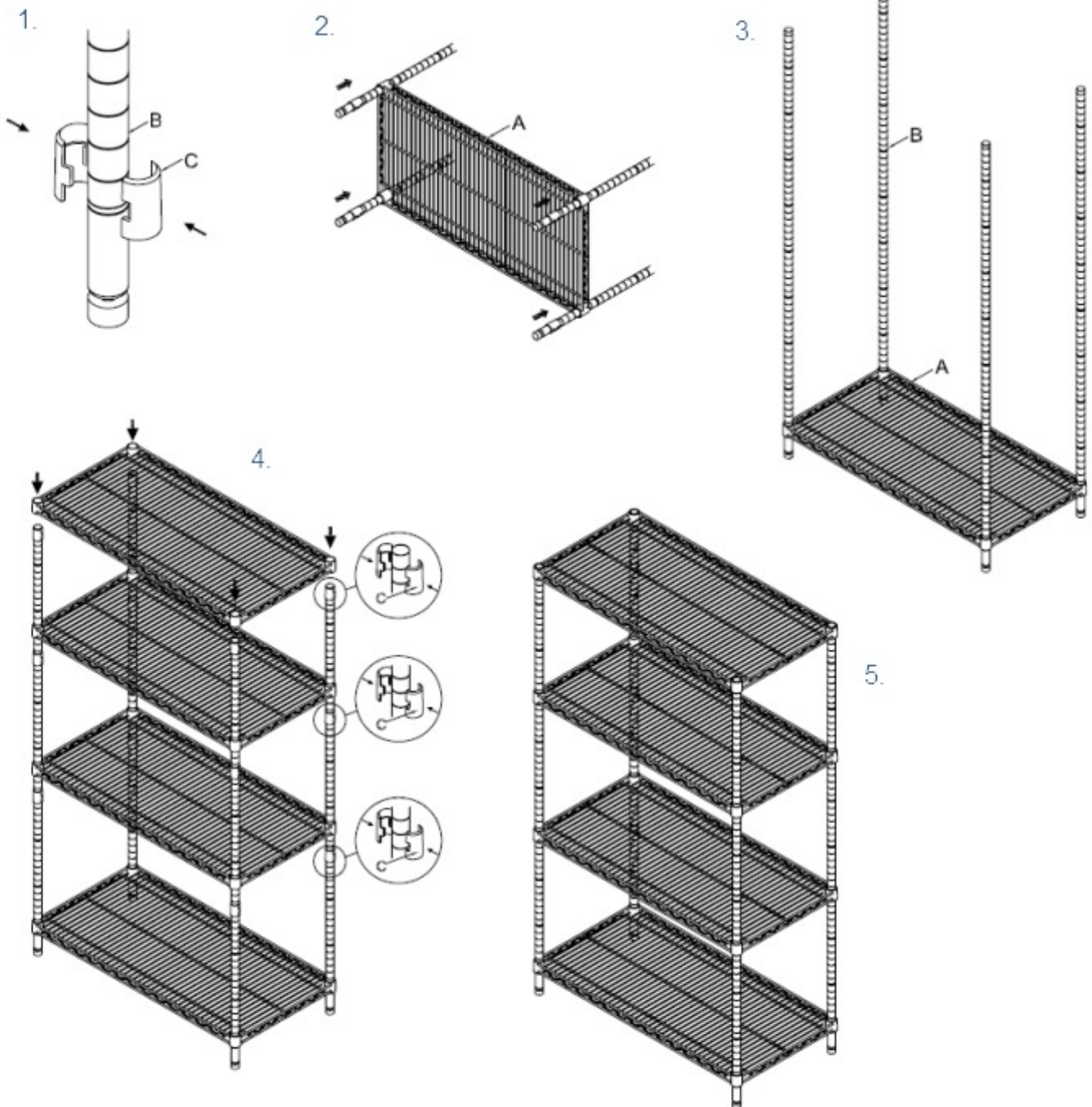
- Snap the plastic collar onto any groove on the post and it locks into position.
- Slide the chosen shelf design or accessory over the post until it rests over the plastic collar.
- To complete the operation tap the shelf or accessory corners down with a soft faced rubber mallet.

QUICK AND EASY ASSEMBLY - NO TOOLS REQUIRED

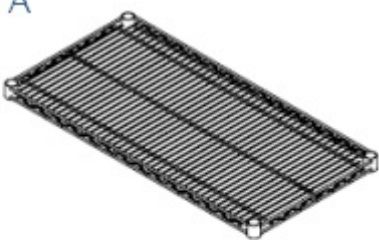


ECLIPSE SHELVING

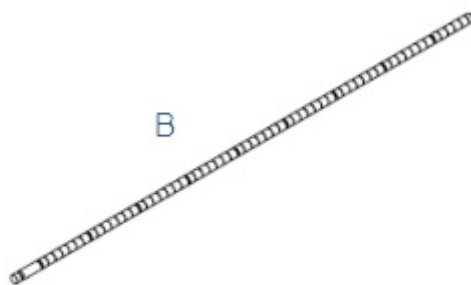
Assembly Instructions



A



B

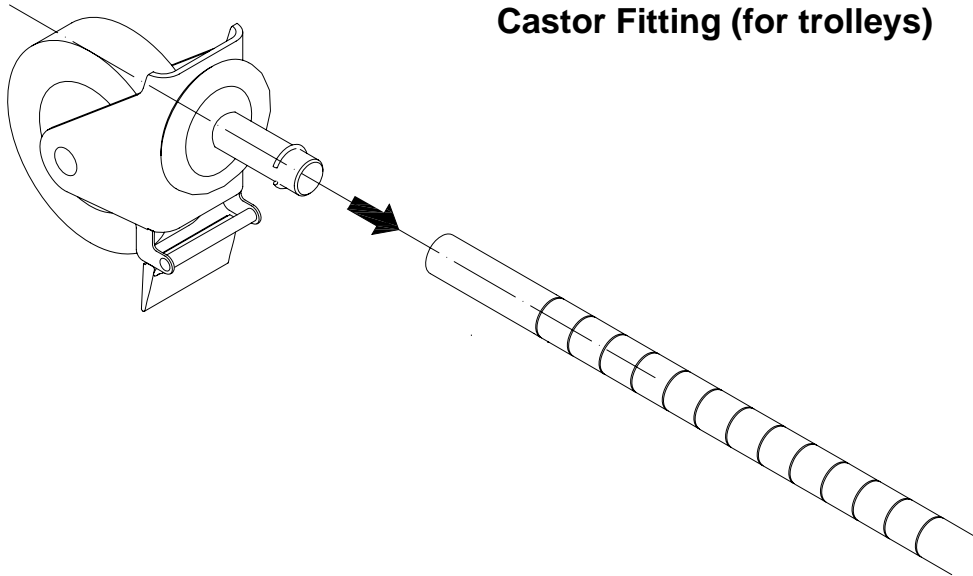


C



1

Castor Fitting (for trolleys)



Press castor stems into bottoms of posts until fully engaged. Use a rubber mallet or hammer wrapped in a towel to tap casters firmly in place.

2

