

Longspan Shelving - Assembly Instructions

Heavy duty Longspan shelving is designed for large and bulky items providing large shelf openings for practical storage. Goods should be hand loaded only, Longspan is not suitable for use with fork lift trucks or other types of manual handling equipment.

Average build time: 10 - 15 mins per bay (requires two people).

Tools required: 2 x 13mm/adjustable spanners and a rubber mallet

Step 1 – Build end frames as per relevant drawing attached

Step 2 – Stand built end frames upright and support vertically

Step 3 – Locate beams into slots in upright in the required position starting at the bottom

Step 4 – Fit remaining beams to create shelf heights as required

Step 5 – Locate safety pins into the holes at the end of each beam to prevent dislodgement.

Step 6 – Locate shelves onto beams using the correct number of shelf supports as shown below.

Step 7 – Align bays and shim as required to ensure that bays are vertical and horizontal.

Step 8 – Fix to floor or wall if required according to the 5:1 height to depth ratio.



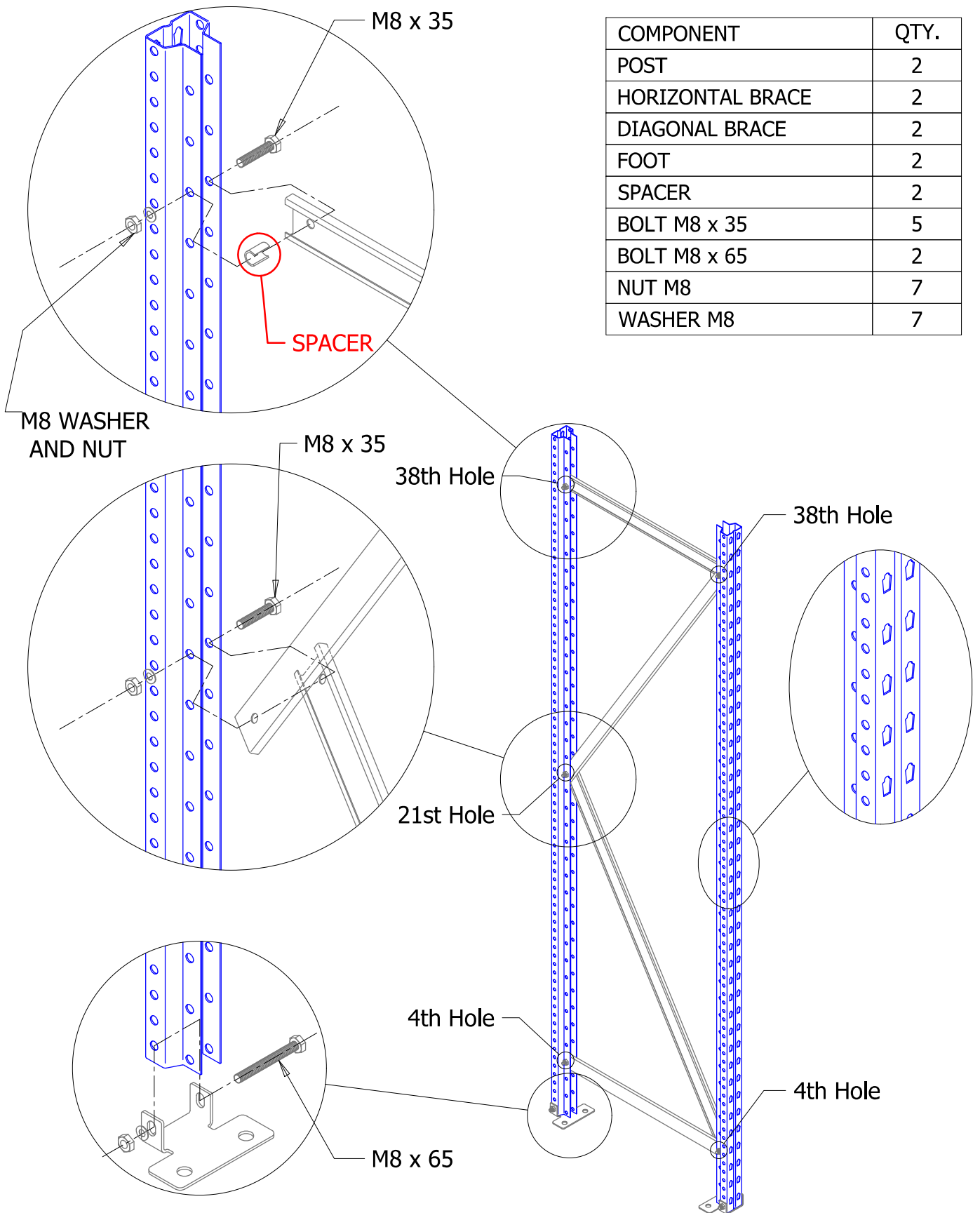
Shelf Width (mm)	Shelf Depth (mm)	No. Shelf Supports
950 & 1150	600	0
950 & 1150	900	2
950 & 1150	1200	2
1500	600	0
1500	900	2
1500	1200	3
1800	600	0
1800	900	2
1800	1200	3
2250	600	1
2250	900	3
2250	1200	4
2400	600	1
2400	900	3
2400	1200	4

Important Safety Notes: Assembly requires a minimum of 2 people, please ensure that health and safety procedures are in place and that suitable PPE is used. Risk assessments and method statements may be required for sites operating CDM. Load signs are available and should be used to notify operators of the safe working loads.



Longspan Assembly Detail

2000mm High Frame



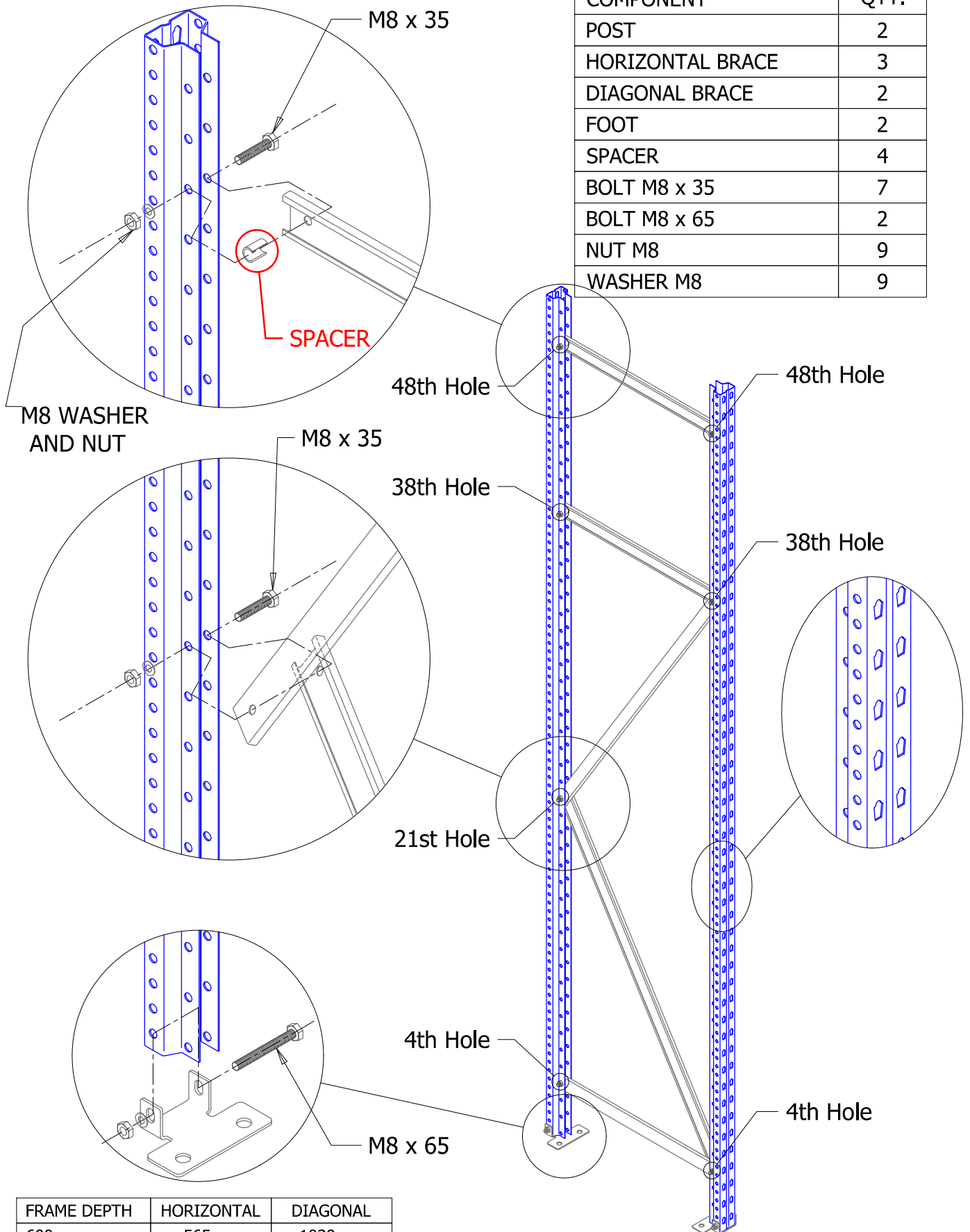
COMPONENT	QTY.
POST	2
HORIZONTAL BRACE	2
DIAGONAL BRACE	2
FOOT	2
SPACER	2
BOLT M8 x 35	5
BOLT M8 x 65	2
NUT M8	7
WASHER M8	7

FRAME DEPTH	HORIZONTAL	DIAGONAL
600mm	565mm	1039mm
900mm	865mm	1224mm
1200mm	1165mm	1450mm

Longspan Assembly Detail

2500mm High Frame

COMPONENT	QTY.
POST	2
HORIZONTAL BRACE	3
DIAGONAL BRACE	2
FOOT	2
SPACER	4
BOLT M8 x 35	7
BOLT M8 x 65	2
NUT M8	9
WASHER M8	9



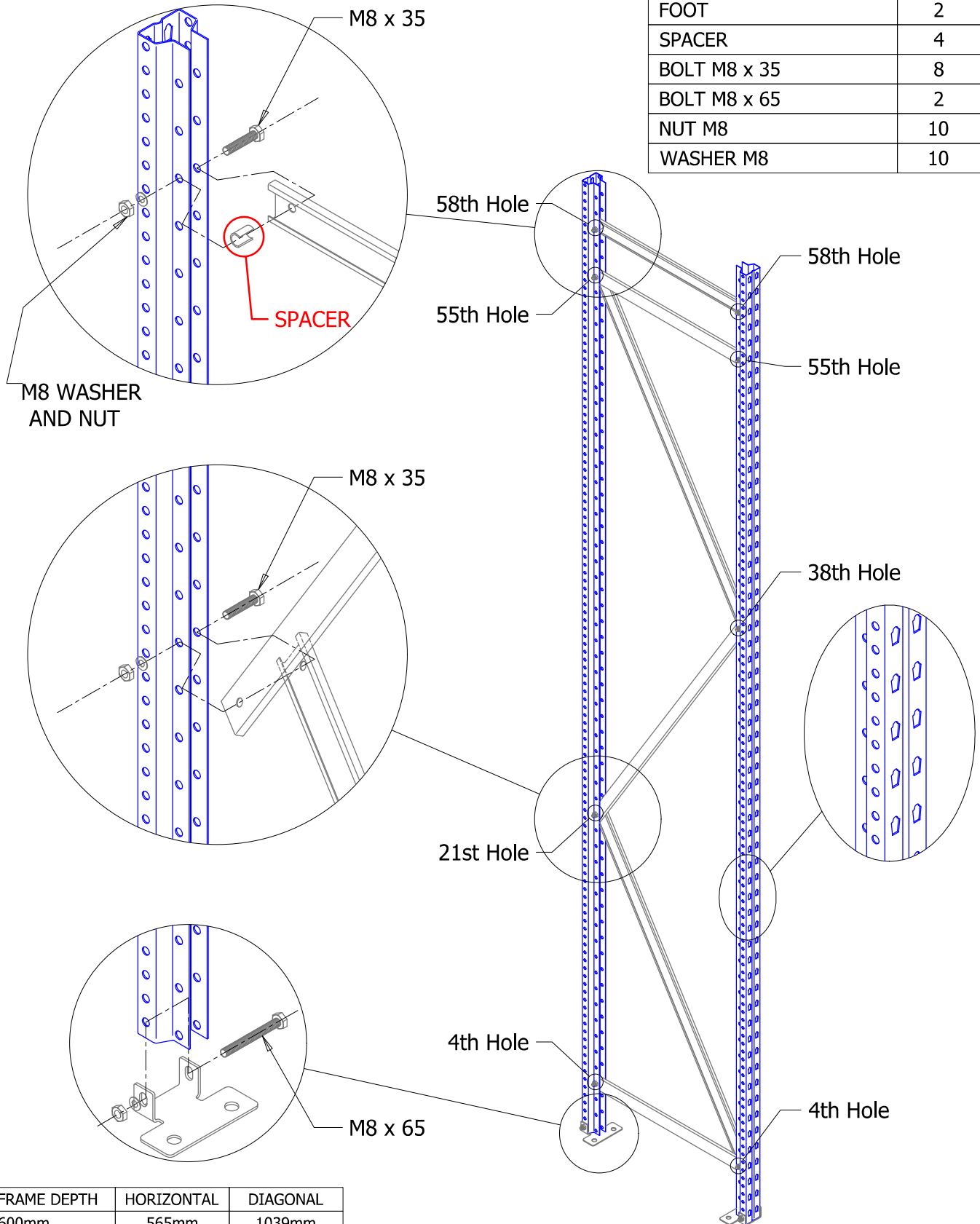
FRAME DEPTH	HORIZONTAL	DIAGONAL
600mm	565mm	1039mm
900mm	865mm	1224mm
1200mm	1165mm	1450mm



Longspan Assembly Detail

3000mm High Frame

COMPONENT	QTY.
POST	2
HORIZONTAL BRACE	3
DIAGONAL BRACE	3
FOOT	2
SPACER	4
BOLT M8 x 35	8
BOLT M8 x 65	2
NUT M8	10
WASHER M8	10

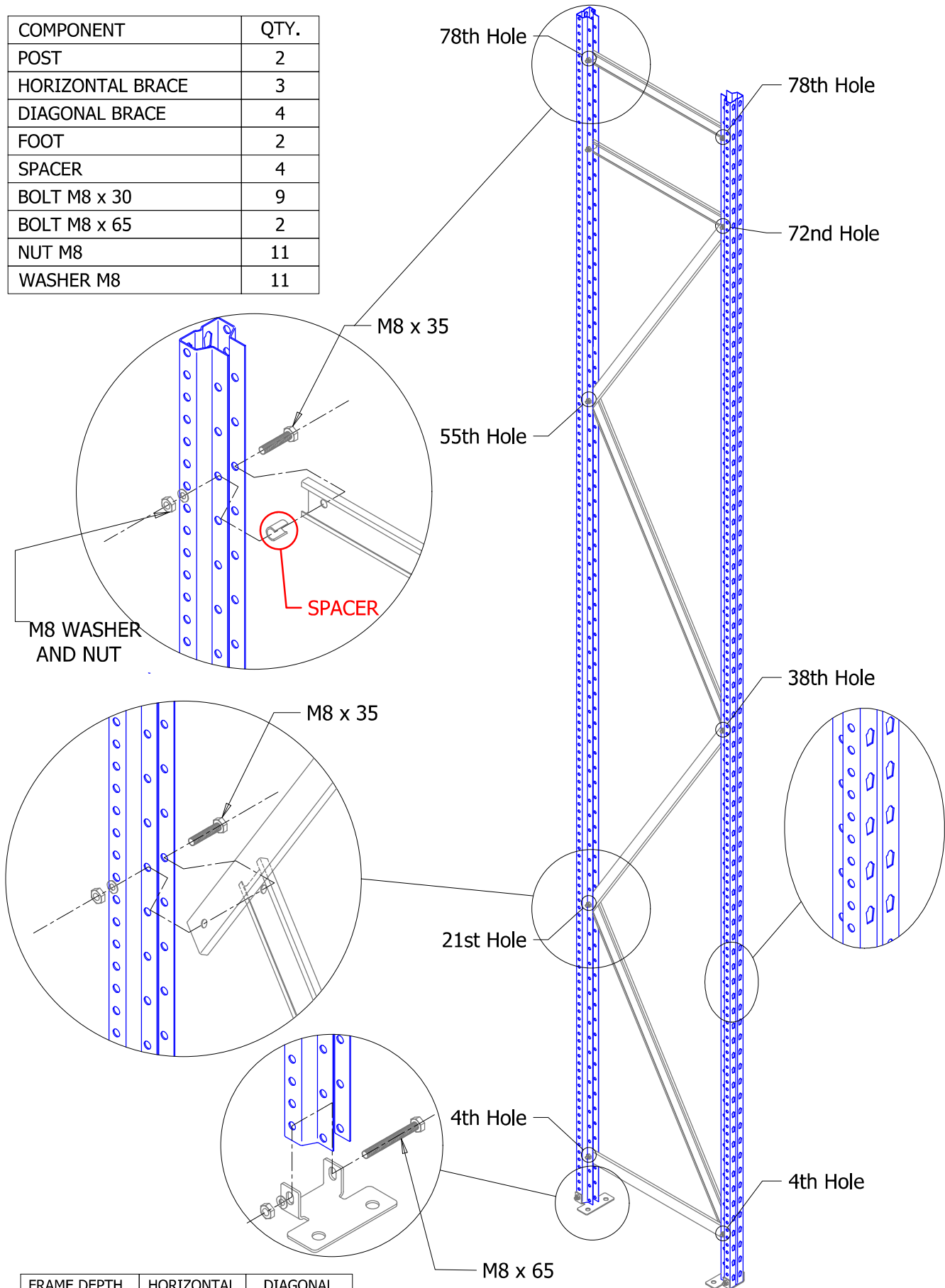


FRAME DEPTH	HORIZONTAL	DIAGONAL
600mm	565mm	1039mm
900mm	865mm	1224mm
1200mm	1165mm	1450mm

Longspan Assembly Detail

4000mm High Frame

COMPONENT	QTY.
POST	2
HORIZONTAL BRACE	3
DIAGONAL BRACE	4
FOOT	2
SPACER	4
BOLT M8 x 30	9
BOLT M8 x 65	2
NUT M8	11
WASHER M8	11



FRAME DEPTH	HORIZONTAL	DIAGONAL
600mm	565mm	1039mm
900mm	865mm	1224mm
1200mm	1165mm	1450mm

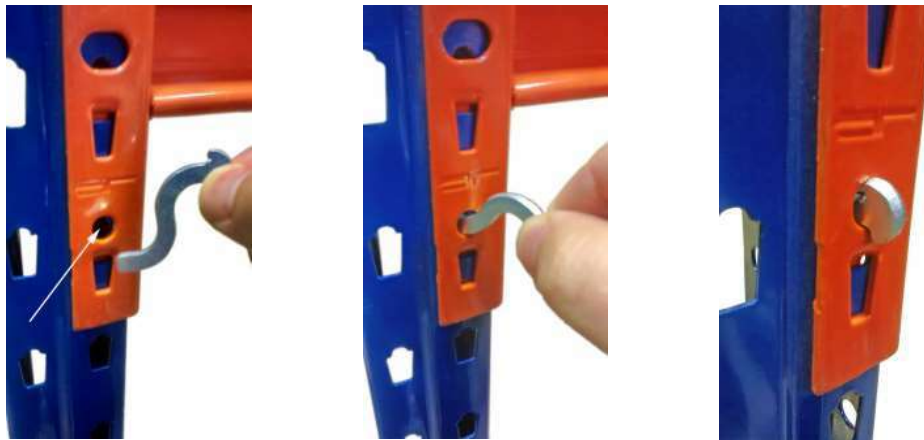
Longspan Shelving Locking Pin Installation

To ensure beams stay securely in place, you must install a locking clip into each end of every beam used (every shelf level requires 4 locking pins).

Once the beam is located at the correct level and firmly inserted into the tapered post holes, the small hole in the beam indicated below will line up with a matching hole in the post.

This will allow the 'S' shaped locking pin to be inserted (thin end first) until the head stops against the orange beam.

Please ensure that all locking clips are correctly installed before use.



2m high longspan
starter bay with 3 shelf
levels shown for
reference.