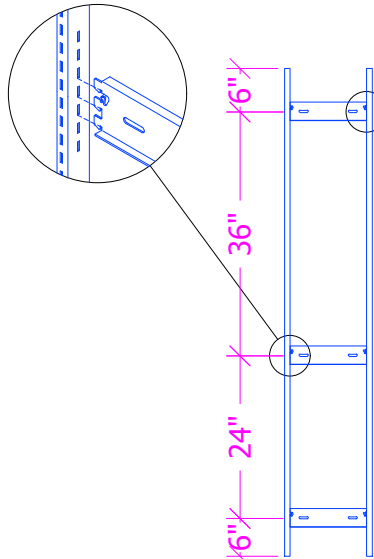
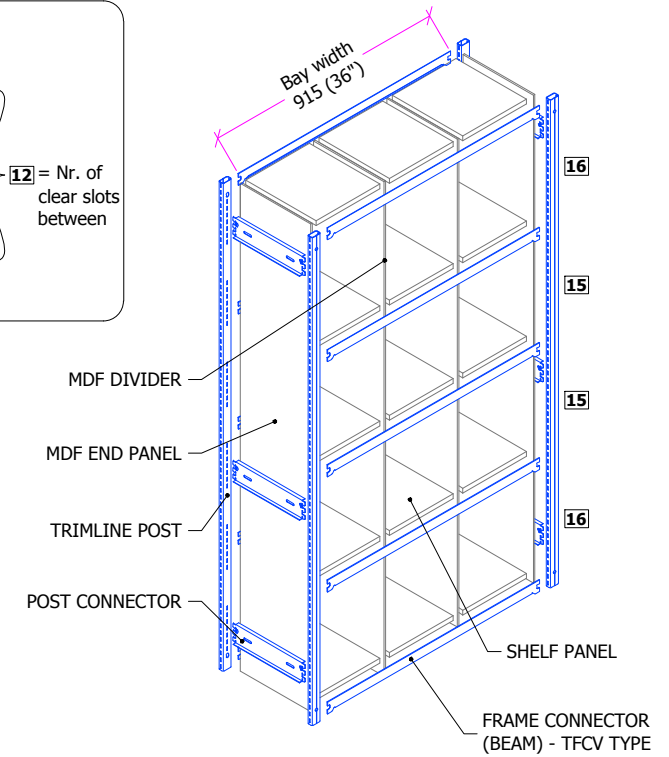
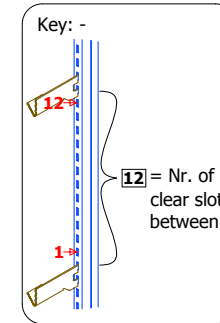
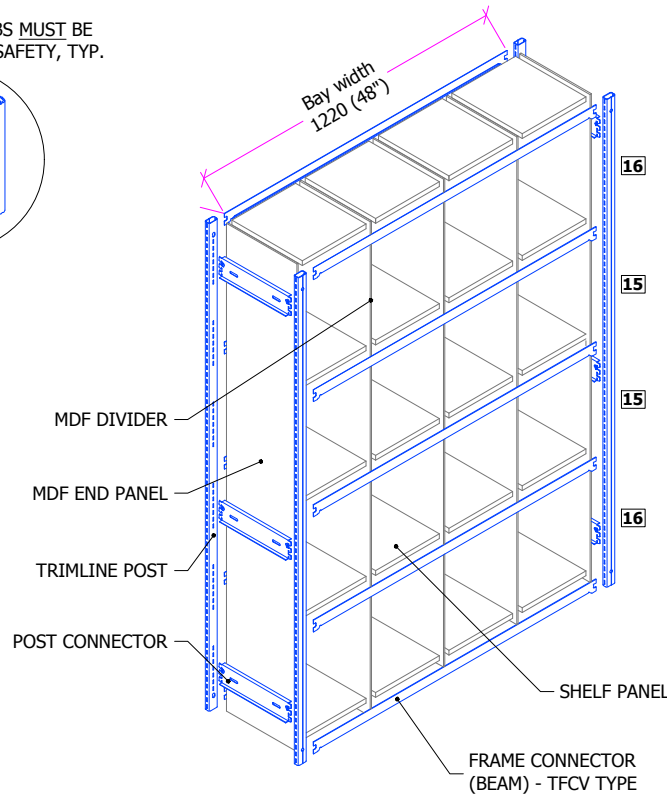
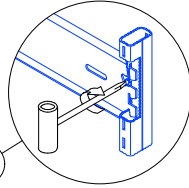


POST CONNECTOR POSITIONED IN MIDDLE THREE SLOTS, TYP.



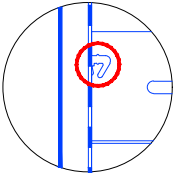
POST CONNECTOR TABS MUST BE LOCKED IN PLACE FOR SAFETY, TYP.



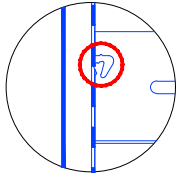
### STEP ONE

BUILD END FRAMES USING 2 POSTS AND 3 POST CONNECTORS  
 INSERT THE POST CONNECTORS INTO THE SLOT POSITIONS SHOWN USING A MALLETT TO KNOCK THEM DOWN INTO POSITION AND FINALLY TWIST THE LOCKING TABS INTO POSITION USING A BROAD BLADED SCREWDRIVER  
 FIT PLASTIC FEET ONCE FRAME IS ASSEMBLED  
**IMPORTANT - LOCKING TABS MUST BE LOCKED IN ALL POSITIONS**

NOT LOCKED



LOCKED



### STEP TWO

HOLD FIRST FRAME UPRIGHT AND FIT A BEAM INTO LOWEST SLOTS OF ONE POST, TAPPING DOWN FIRMLY WITH A MALLETT. THIS MAKES A FREE STANDING UNIT (SINGLE PERSON INSTALLATION IS POSSIBLE BUT TWO PERSON INSTALLATION IS RECOMMENDED). BRING SECOND FRAME CLOSE TO FREE END OF BEAM, INSERT BEAM INTO LOWEST TWO SLOTS OF SECOND FRAME AND TAP DOWN FIRMLY WITH A MALLETT.

### STEP THREE

FIT SECOND BEAM IN LOWEST TWO SLOTS AT THE FRONT OF THE BAY, COMPLETING THE BOTTOM LEVEL. FIT UPPER LEVEL BEAMS AT THE BACK OF THE BAY ONLY IN DESIRED POSITIONS ENSURING THEY ARE KNOCKED DOWN WITH A MALLETT. AT THIS POINT THE BAY NEEDS TO BE PLACED IN ITS FINAL POSITION AS IT MAY BECOME TOO HEAVY TO MOVE WHEN ASSEMBLY IS COMPLETED.

### STEP FOUR

STAND ONE END PANEL VERTICALLY AGAINST EACH END FRAME WITHIN THE BAY AT A SLIGHT ANGLE SO THAT THEY LEAN AGAINST THE POST CONNECTORS. PLACE DIVIDERS WITHIN THE BAY LEANING AGAINST THE REAR BEAMS. FIT THE REMAINDER OF THE FRONT BEAMS ENSURING THEY ARE KNOCKED DOWN WITH A MALLETT.

### STEP FIVE

ROTATE DIVIDER PANELS THROUGH 90° AND FIT ONE LEVEL OF SHELF PANELS BETWEEN END PANELS AND DIVIDERS. THIS WILL "SQUARE UP" THE BAY. FIT REMAINING SHELF PANELS. SHELF PANELS FIT SNUGLY BETWEEN END PANELS AND DIVIDERS TO ENSURE THEY ARE KEPT IN POSITION.  
**NOTE:**  
 INTERMEDIATE SHELF LEVELS CAN BE FITTED IN ANY POSITION TO GIVE VARYING HEIGHTS OF OPENING, VERTICAL ADJUSTMENT IS 25mm (1"). OPENING WIDTH IS DETERMINED BY SHELF PANEL WIDTH AND IS FIXED UNLESS SHELF PANELS ARE REPLACED WITH DIFFERENT WIDTHS.

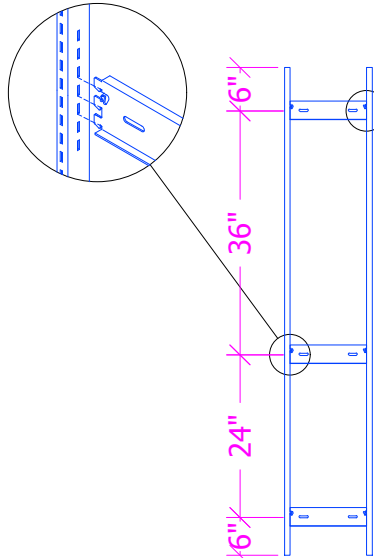
End Panel & Divider Sizes

Nominal Bay Depth	Divider & End panels
305mm (12")	273mm
381mm (15")	349mm
457mm (18")	425mm

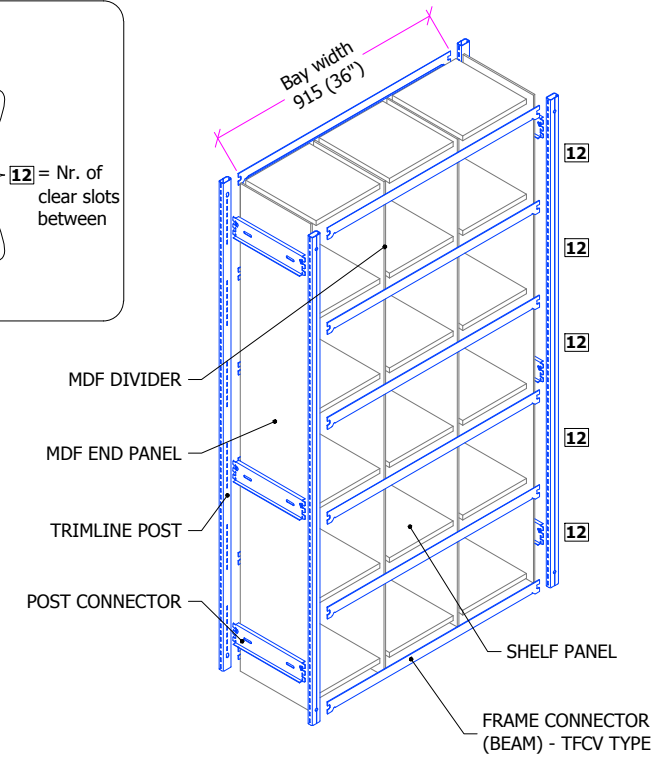
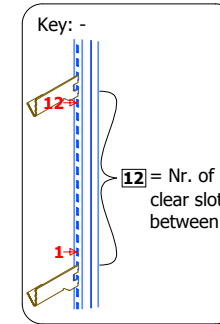
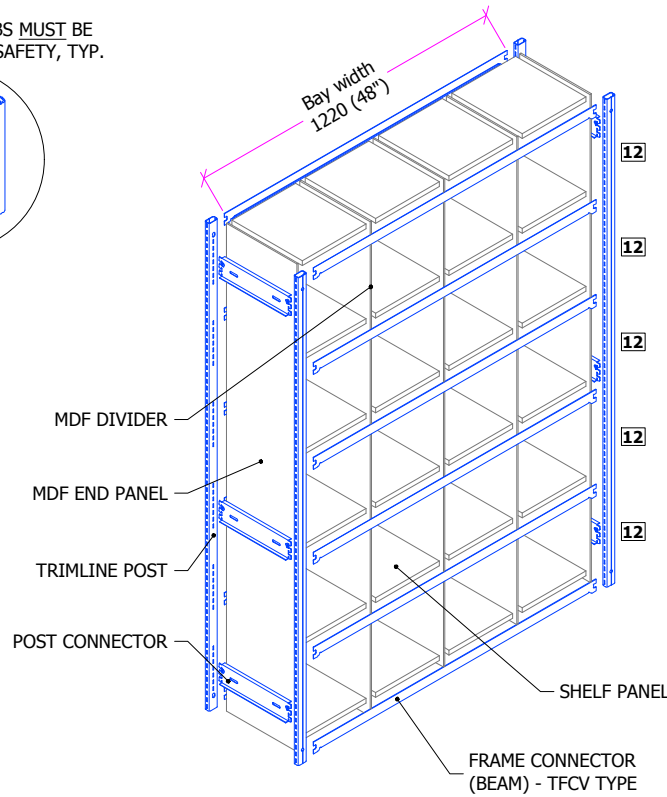
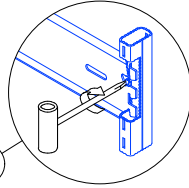
REV. A			
DO NOT SCALE			
PROJECT		 E-Z-RECT LTD WITAN PARK, AVENUE TWO, STATION LANE, WITNEY, OXON. OX28 4FH TEL: 01993 778494 FAX: 01993 704111 www.ezshelving.com	
THIS DRAWING (AND ANY ACCOMPANYING SPECIFICATION) IS THE PROPERTY OF E-Z-RECT LIMITED T/A EZSHELVING AND MUST NOT BE REPRODUCED IN ANY MANNER, IN WHOLE, IN PART OR IN CONCEPT WITHOUT PERMISSION.			
DO NOT SCALE			
DRAWN	DATE	SCALE	NTS
DA	01/11/2016		
TITLE			
TRIMLINE ASSEMBLY DETAILS			
DRG. No.	REV		
EZTL-72PH4CHAY			

TRIMLINE PIGEON  
 HOLE BAY -  
 ASSEMBLY  
 INSTRUCTIONS

POST CONNECTOR POSITIONED IN MIDDLE THREE SLOTS, TYP.

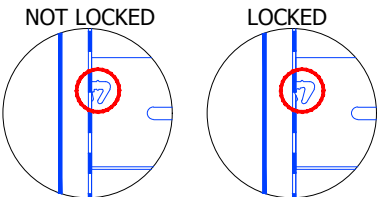


POST CONNECTOR TABS MUST BE LOCKED IN PLACE FOR SAFETY, TYP.



**STEP ONE**

BUILD END FRAMES USING 2 POSTS AND 3 POST CONNECTORS  
 INSERT THE POST CONNECTORS INTO THE SLOT POSITIONS SHOWN USING A MALLET TO KNOCK THEM DOWN INTO POSITION AND FINALLY TWIST THE LOCKING TABS INTO POSITION USING A BROAD BLADED SCREWDRIVER  
 FIT PLASTIC FEET ONCE FRAME IS ASSEMBLED  
**IMPORTANT - LOCKING TABS MUST BE LOCKED IN ALL POSITIONS**



**STEP TWO**

HOLD FIRST FRAME UPRIGHT AND FIT A BEAM INTO LOWEST SLOTS OF ONE POST, TAPPING DOWN FIRMLY WITH A MALLET. THIS MAKES A FREE STANDING UNIT (SINGLE PERSON INSTALLATION IS POSSIBLE BUT TWO PERSON INSTALLATION IS RECOMMENDED). BRING SECOND FRAME CLOSE TO FREE END OF BEAM, INSERT BEAM INTO LOWEST TWO SLOTS OF SECOND FRAME AND TAP DOWN FIRMLY WITH A MALLET.

**STEP THREE**

FIT SECOND BEAM IN LOWEST TWO SLOTS AT THE FRONT OF THE BAY, COMPLETING THE BOTTOM LEVEL. FIT UPPER LEVEL BEAMS AT THE BACK OF THE BAY ONLY IN DESIRED POSITIONS ENSURING THEY ARE KNOCKED DOWN WITH A MALLET. AT THIS POINT THE BAY NEEDS TO BE PLACED IN ITS FINAL POSITION AS IT MAY BECOME TOO HEAVY TO MOVE WHEN ASSEMBLY IS COMPLETED.

**STEP FOUR**

STAND ONE END PANEL VERTICALLY AGAINST EACH END FRAME WITHIN THE BAY AT A SLIGHT ANGLE SO THAT THEY LEAN AGAINST THE POST CONNECTORS. PLACE DIVIDERS WITHIN THE BAY LEANING AGAINST THE REAR BEAMS. FIT THE REMAINDER OF THE FRONT BEAMS ENSURING THEY ARE KNOCKED DOWN WITH A MALLET.

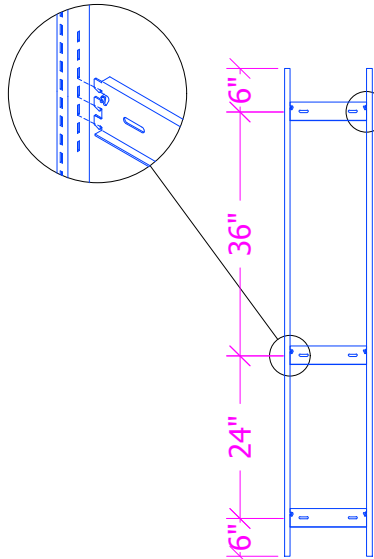
**STEP FIVE**

ROTATE DIVIDER PANELS THROUGH 90° AND FIT ONE LEVEL OF SHELF PANELS BETWEEN END PANELS AND DIVIDERS. THIS WILL "SQUARE UP" THE BAY. FIT REMAINING SHELF PANELS. SHELF PANELS FIT SNUGLY BETWEEN END PANELS AND DIVIDERS TO ENSURE THEY ARE KEPT IN POSITION.  
**NOTE:**  
 INTERMEDIATE SHELF LEVELS CAN BE FITTED IN ANY POSITION TO GIVE VARYING HEIGHTS OF OPENING, VERTICAL ADJUSTMENT IS 25mm (1"). OPENING WIDTH IS DETERMINED BY SHELF PANEL WIDTH AND IS FIXED UNLESS SHELF PANELS ARE REPLACED WITH DIFFERENT WIDTHS.

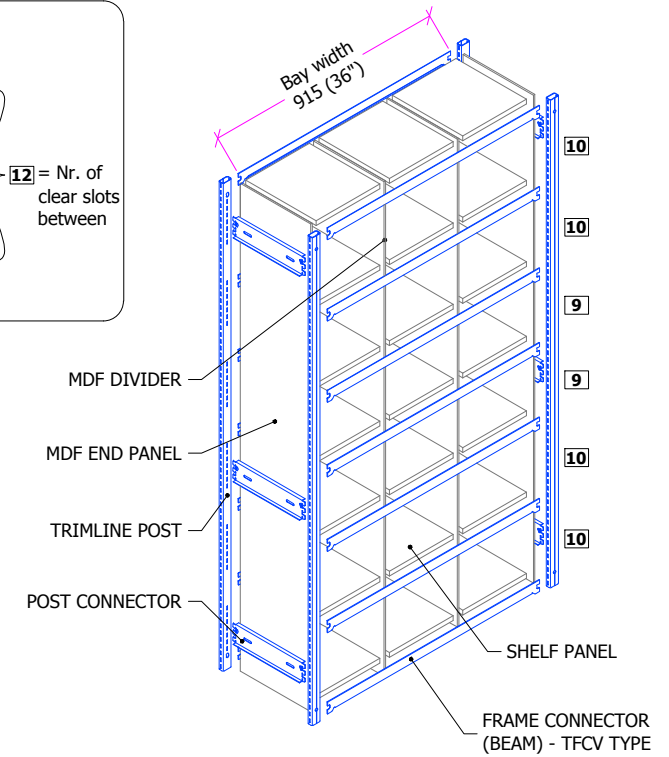
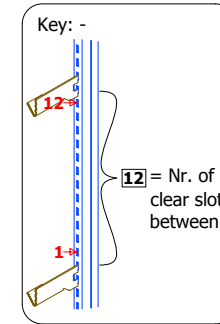
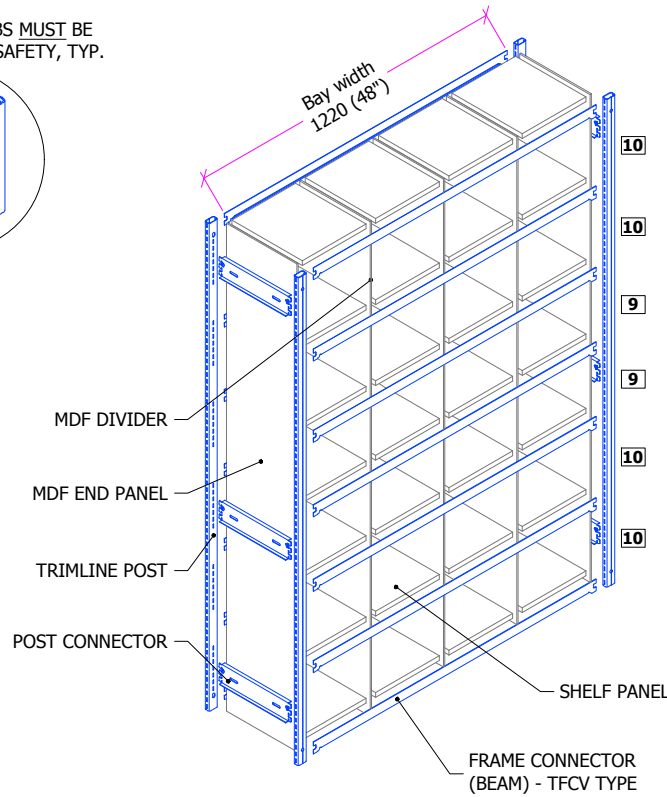
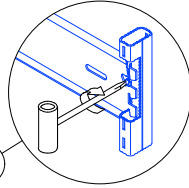
End Panel & Divider Sizes	
Nominal Bay Depth	Divider & End panels
305mm (12")	273mm
381mm (15")	349mm
457mm (18")	425mm

REV. A	DO NOT SCALE		
PROJECT			
TRIMLINE PIGEON HOLE BAY - ASSEMBLY INSTRUCTIONS			
 E-Z-RECT LTD WITAN PARK, AVENUE TWO, STATION LANE, WITNEY, OXON. OX28 4FH TEL: 01993 778494 FAX: 01993 704111 www.ezshelving.com			
THIS DRAWING (AND ANY ACCOMPANYING SPECIFICATION) IS THE PROPERTY OF E-Z-RECT LIMITED T/A EZSHELVING AND MUST NOT BE REPRODUCED IN ANY MANNER, IN WHOLE, IN PART OR IN CONCEPT WITHOUT PERMISSION.			
DO NOT SCALE			
DRAWN	DATE	SCALE	NTS
DA	04/12/2015		
TITLE			
TRIMLINE ASSEMBLY DETAILS			
DRG. No.	REV		
EZTL-72PH5CHAY			

POST CONNECTOR POSITIONED IN MIDDLE THREE SLOTS, TYP.

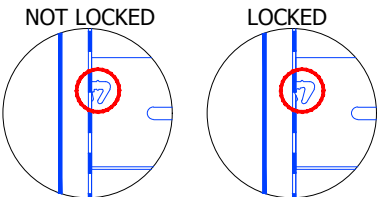


POST CONNECTOR TABS MUST BE LOCKED IN PLACE FOR SAFETY, TYP.



**STEP ONE**

BUILD END FRAMES USING 2 POSTS AND 3 POST CONNECTORS  
INSERT THE POST CONNECTORS INTO THE SLOT POSITIONS SHOWN USING A MALLET TO KNOCK THEM DOWN INTO POSITION AND FINALLY TWIST THE LOCKING TABS INTO POSITION USING A BROAD BLADED SCREWDRIVER  
FIT PLASTIC FEET ONCE FRAME IS ASSEMBLED  
**IMPORTANT - LOCKING TABS MUST BE LOCKED IN ALL POSITIONS**



**STEP TWO**

HOLD FIRST FRAME UPRIGHT AND FIT A BEAM INTO LOWEST SLOTS OF ONE POST, TAPPING DOWN FIRMLY WITH A MALLET. THIS MAKES A FREE STANDING UNIT (SINGLE PERSON INSTALLATION IS POSSIBLE BUT TWO PERSON INSTALLATION IS RECOMMENDED). BRING SECOND FRAME CLOSE TO FREE END OF BEAM, INSERT BEAM INTO LOWEST TWO SLOTS OF SECOND FRAME AND TAP DOWN FIRMLY WITH A MALLET.

**STEP THREE**

FIT SECOND BEAM IN LOWEST TWO SLOTS AT THE FRONT OF THE BAY, COMPLETING THE BOTTOM LEVEL. FIT UPPER LEVEL BEAMS AT THE BACK OF THE BAY ONLY IN DESIRED POSITIONS ENSURING THEY ARE KNOCKED DOWN WITH A MALLET.  
AT THIS POINT THE BAY NEEDS TO BE PLACED IN ITS FINAL POSITION AS IT MAY BECOME TOO HEAVY TO MOVE WHEN ASSEMBLY IS COMPLETED.

**STEP FOUR**

STAND ONE END PANEL VERTICALLY AGAINST EACH END FRAME WITHIN THE BAY AT A SLIGHT ANGLE SO THAT THEY LEAN AGAINST THE POST CONNECTORS. PLACE DIVIDERS WITHIN THE BAY LEANING AGAINST THE REAR BEAMS. FIT THE REMAINDER OF THE FRONT BEAMS ENSURING THEY ARE KNOCKED DOWN WITH A MALLET.

**STEP FIVE**

ROTATE DIVIDER PANELS THROUGH 90° AND FIT ONE LEVEL OF SHELF PANELS BETWEEN END PANELS AND DIVIDERS. THIS WILL "SQUARE UP" THE BAY. FIT REMAINING SHELF PANELS. SHELF PANELS FIT SNUGLY BETWEEN END PANELS AND DIVIDERS TO ENSURE THEY ARE KEPT IN POSITION.  
NOTE:  
INTERMEDIATE SHELF LEVELS CAN BE FITTED IN ANY POSITION TO GIVE VARYING HEIGHTS OF OPENING, VERTICAL ADJUSTMENT IS 25mm (1"). OPENING WIDTH IS DETERMINED BY SHELF PANEL WIDTH AND IS FIXED UNLESS SHELF PANELS ARE REPLACED WITH DIFFERENT WIDTHS.

End Panel & Divider Sizes	
Nominal Bay Depth	Divider & End panels
305mm (12")	273mm
381mm (15")	349mm
457mm (18")	425mm

REV. A									
DO NOT SCALE									
PROJECT		<p>E-Z-RECT LTD WITAN PARK, AVENUE TWO, STATION LANE, WITNEY, OXON. OX28 4FH TEL: 01993 778494 FAX: 01993 704111 www.ezs shelving.com</p>	<p>THIS DRAWING (AND ANY ACCOMPANYING SPECIFICATION) IS THE PROPERTY OF E-Z-RECT LIMITED T/A EZS SHELIVING AND MUST NOT BE REPRODUCED IN ANY MANNER, IN WHOLE, IN PART OR IN CONCEPT WITHOUT PERMISSION.</p> <p style="text-align: center;">DO NOT SCALE</p> <table border="1"> <tr> <td>DRAWN</td> <td>DATE</td> <td>SCALE</td> </tr> <tr> <td>DA</td> <td>01/11/2016</td> <td>NTS</td> </tr> </table> <p>TITLE</p> <p><b>TRIMLINE ASSEMBLY DETAILS</b></p> <p>DRG. No. <b>EZTL-72PH6CHAY</b> REV</p>	DRAWN	DATE	SCALE	DA	01/11/2016	NTS
DRAWN	DATE			SCALE					
DA	01/11/2016	NTS							
<p>TRIMLINE PIGEON HOLE BAY - ASSEMBLY INSTRUCTIONS</p>									